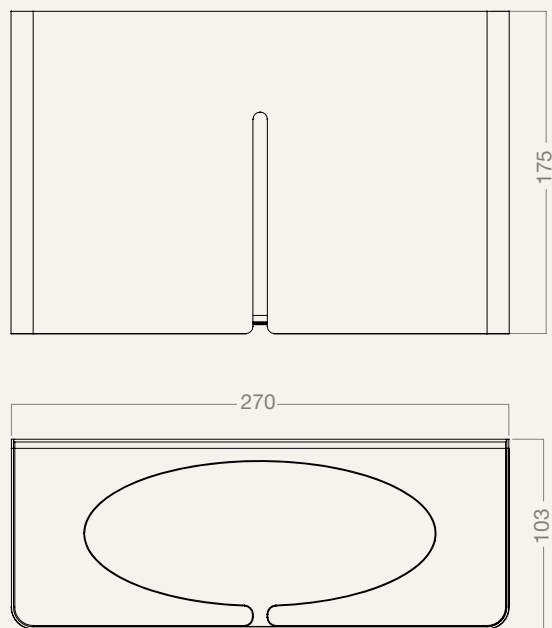


**FROST**  
DENMARK

## PAPER DISPENSER MINI

PRODUCT DETAILS, TECHNICAL DETAILS  
AND FITTING INSTRUCTIONS



**ITEM NUMBERS:**

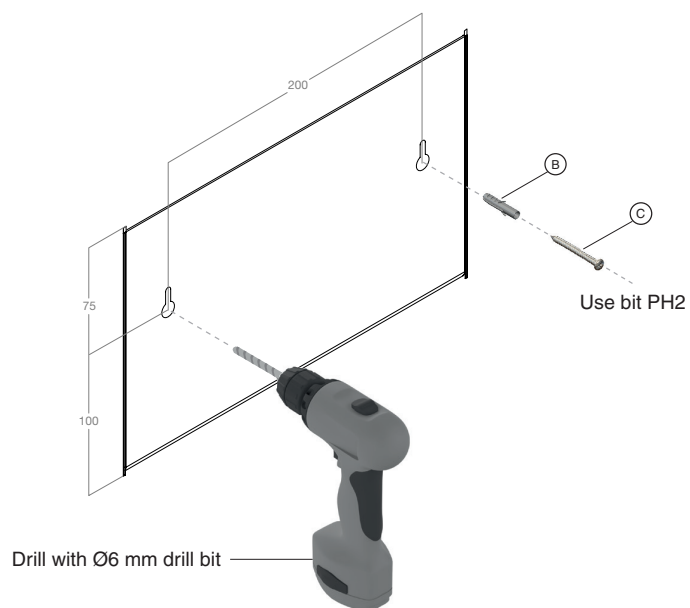
N1981, O1981, N1981-BOC, N1981-C, N1981-BMG,  
N1981-GO, N1981-BCB, N1981-B, N1981-W

**MATERIAL: STAINLESS STEEL**

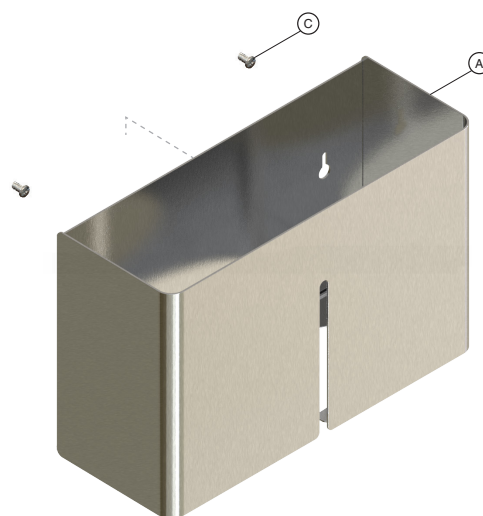
**DESIGNED BY BØNNELYCKE MDD**

## MOUNTING OF N1981:

- ① Secure the dispenser (A) on the wall as illustrated. Use two (B) wall plugs (Ø6x30) and (C) screws (Ø4x40).



- ② Mount the (A) dispenser on the (C) screws (Ø5x40) as illustrated.



## RECOMMENDED PAPER:

- ① TORK Advanced Soft H2 Interfold Hand Towls  
Paper Size: 220 x 90 mm





ALL MEASUREMENTS ARE IN MILLIMETERS

[WWW.FROSTDENMARK.COM](http://WWW.FROSTDENMARK.COM)

#### **CLEANING AND MAINTENANCE**

Surfaces should be cleaned with a microfiber cloth, glass cleaner or other non abrasive and gentle agents.

#### **ATTENTION:**

Never use solvents or aggressive household cleaners like bleach, acids (e.g. descalers) or ammonia-based bathroom cleaner to clean the product. Steel wool and hard brushes can permanently damage the surface of the steel.

#### **EXCLUSION OF LIABILITY**

FROST accepts no liability whatsoever for damage to persons or property that occurs or has occurred as a result of improper installation or maintenance, particularly if the safety instructions and other points to note listed are not or have not been observed in full.

#### **WARNING AND HAZARD NOTICES**

Improper mounting or use can lead to accidents and serious injuries.

**[www.frostdenmark.com](http://www.frostdenmark.com)**

We are also to be found as frostdenmark on Facebook,  
Instagram, Pinterest and LinkedIn

